

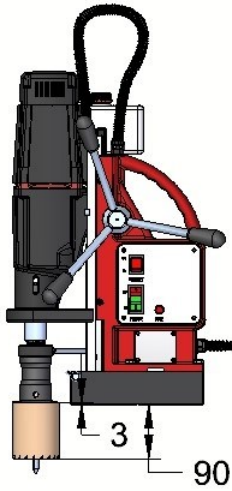
RIX85 3MT PHYSICALS

& M/C DATA

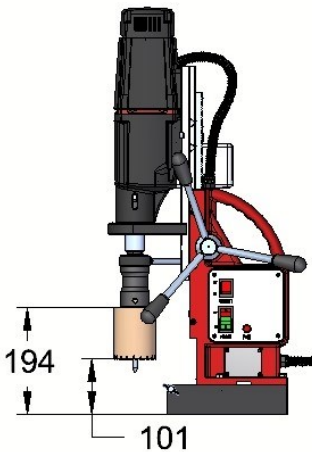


TEL : 0114 2438800

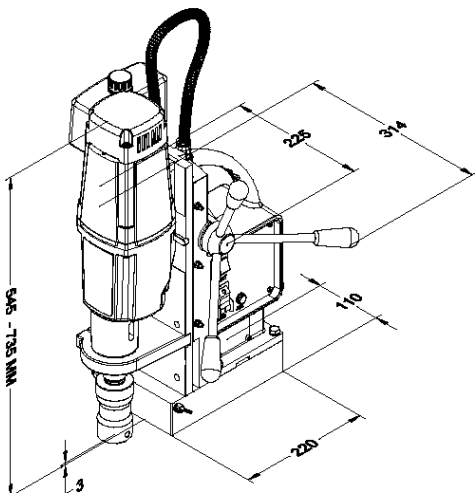
Email : sales@rixtools.co.uk



MOTOR DOWN



MOTOR UP



Specifications

	RIX85 230V	RIX85 110V
RATED VOLTAGE (V) :	220-240	110
POWER INPUT (W) :	1700	1500
CORE CUTTING CAPACITY (MM) :	12 to 85 \varnothing	12 to 85 \varnothing
RATED SPEEDS (RPM) :	110/190/280	110/ 190/280
TWIST DRILL CAPACITY 3MT (MM) :	31.75 \varnothing	31.75 \varnothing
ARBOR MOUNT (WITH WELDON TOOL HOLDER)	3MT	3MT
PACKING :	STEEL CASE	STEEL CASE
WEIGHT (KG) :	29	29



RIX-Tools UK Ltd

DRILLING - PUNCHING - SAWING - DEBURRING - STIRRING

